

Optional:  
 \*Adjustable feet 500  
 \*Adjustable feet 800

NAME:  
**FRONT 75-45**

TYPE:  
**Elu-W**

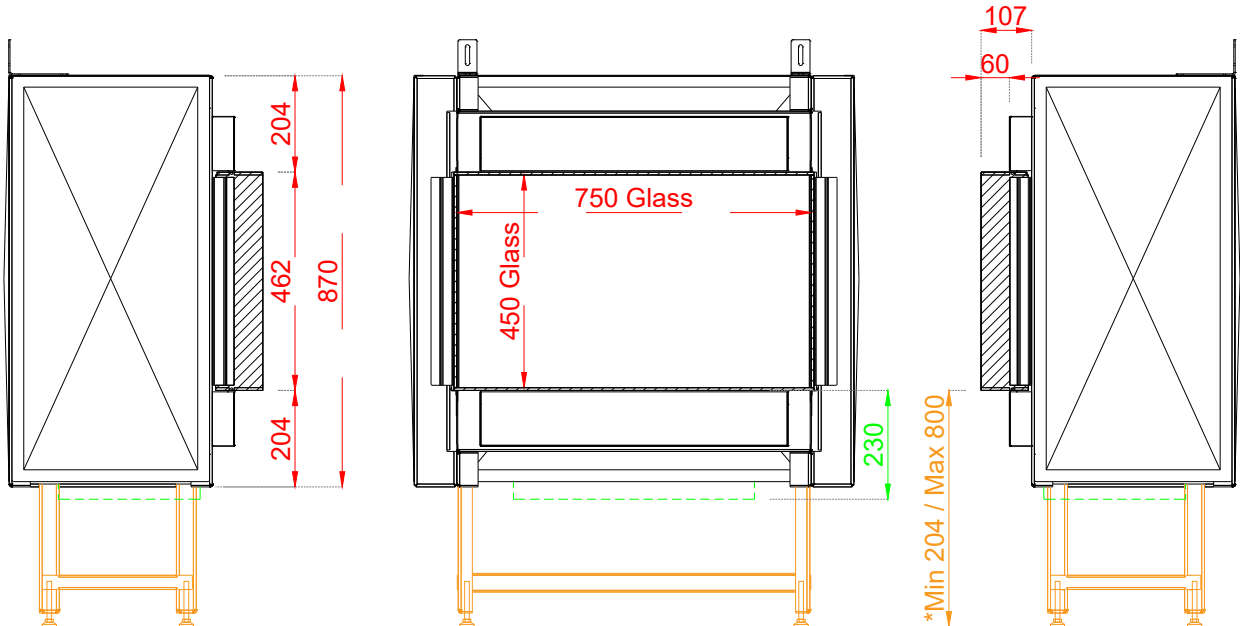
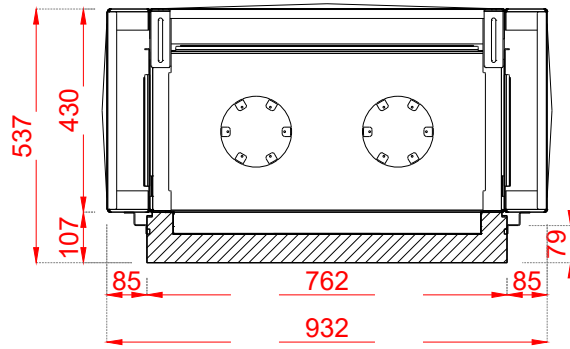
DATE:  
**29/05/2024**

SCALE:  
**1:16**

PAPER:  
**A4**

**élu-fire**

Doornhoek 3766, 5465 TA Veghel  
 The Netherlands  
 info@elu-fire.nl  
 www.elu-fire.nl



Optional:  
 \*Adjustable feet 500  
 \*Adjustable feet 800

NAME:  
**FRONT 75-45 - FRAME 10CM**

TYPE:  
**Elu-W**

DATE:  
**29/05/2024**

SCALE:  
**1:16**

PAPER:  
**A4**

**élu-fire**

Doornhoek 3766, 5465 TA Veghel  
 The Netherlands  
 info@elu-fire.nl  
 www.elu-fire.nl